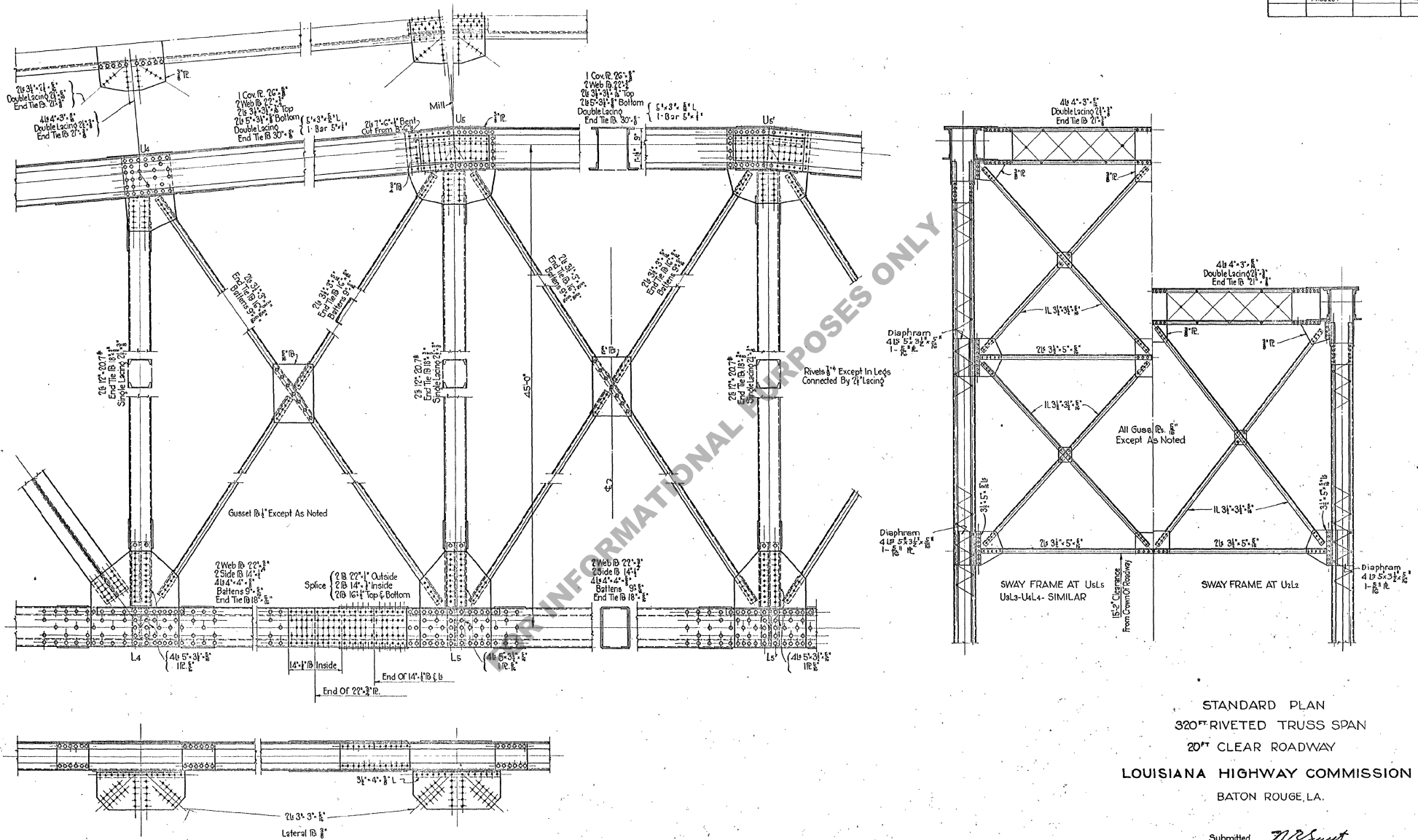


STANDARD PLAN  
 320' RIVETED TRUSS SPAN  
 20' CLEAR ROADWAY  
 LOUISIANA HIGHWAY COMMISSION  
 BATON ROUGE, LA.

Submitted *N.B. Saint*  
 Bridge Engineer

Revised 1-51 Dimension From Top End Fl. Pin to Crown of Roadway  
 Dimension From Crown of Roadway to Bottom Rail.

STATE	PARISH	SHEET
		OF

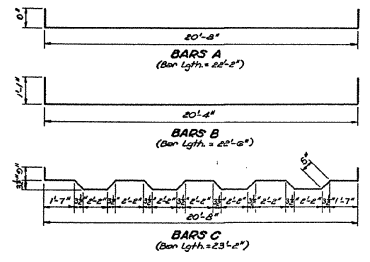
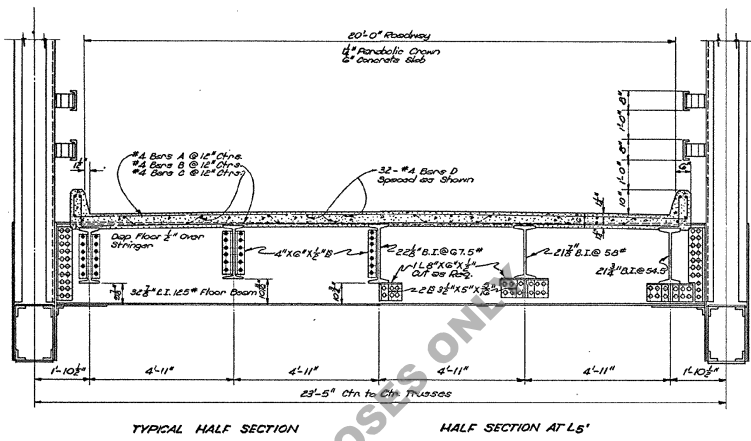
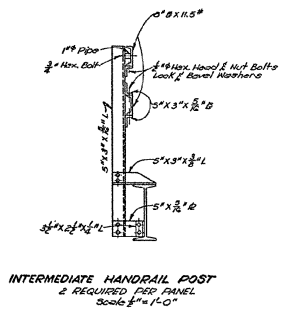
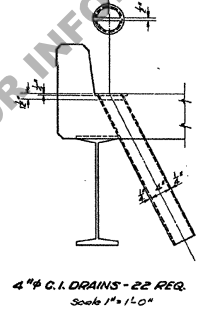
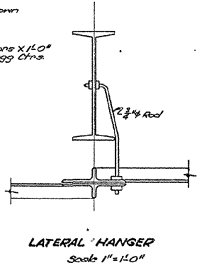
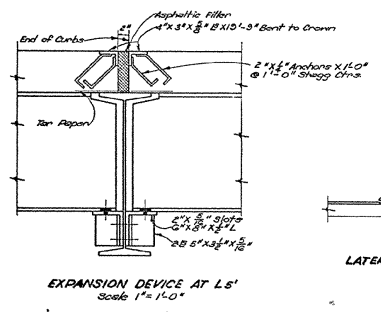
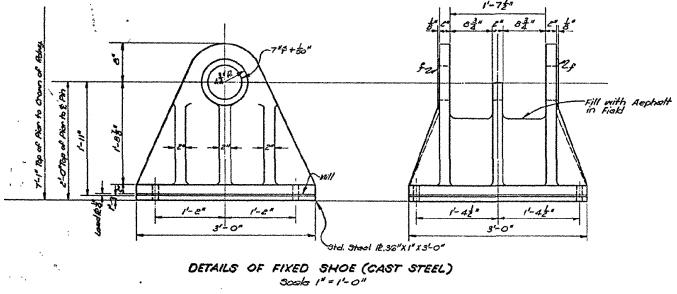
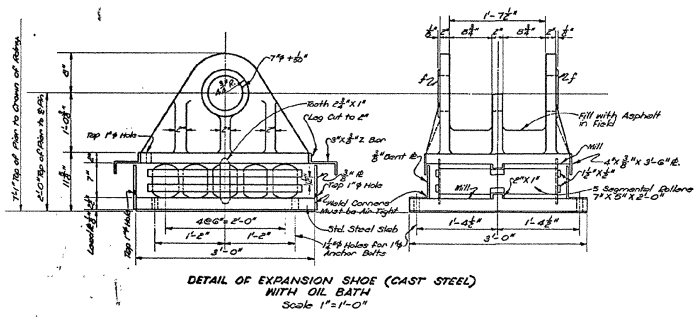


STANDARD PLAN  
 320' RIVETED TRUSS SPAN  
 20' CLEAR ROADWAY  
 LOUISIANA HIGHWAY COMMISSION  
 BATON ROUGE, LA.

Submitted W. R. Bassett  
 Bridge Engineer

Revised 1-51 Dimension From Crown of Rely.

STATE	PROJECT	PARISH	SHEET
			47



GENERAL NOTES FOR ROADWAY SLAB:  
 Detail Specs: Latest Approved, La. Dept. of Hwy. Std. Specs.  
 Design Specs: A.S. 140, 154, 155 amended Dec. 1940.  
 Live Load: 110,000 lbs.  
 Dead Load: Calculated Weight of Materials.  
 All dimensions relating to reinforcing steel size to bar c/c.  
 Reinforcement bars shall be interrupted or hard grade.  
 A.S. 140, 154, or 155, as well as A.S. 110.  
 Exposed Corners to be Chamfered 3/8".

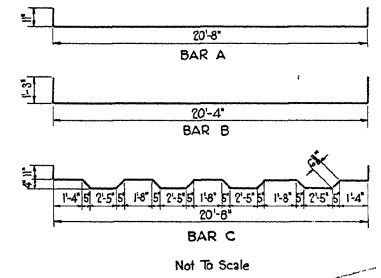
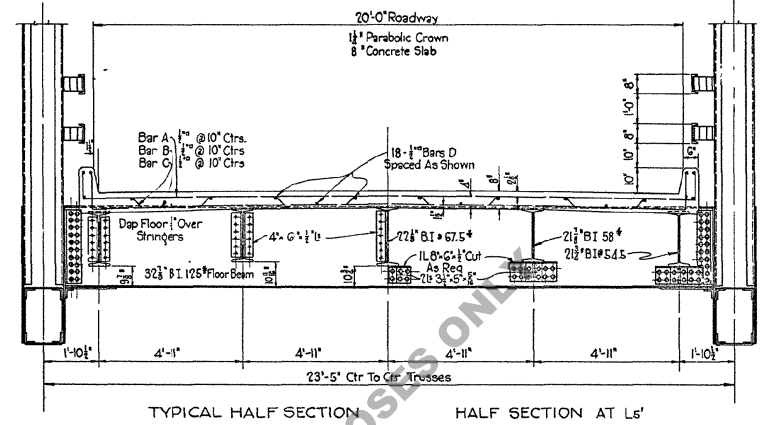
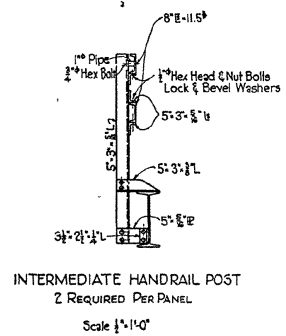
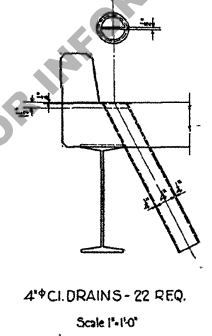
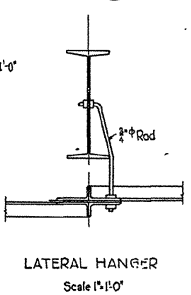
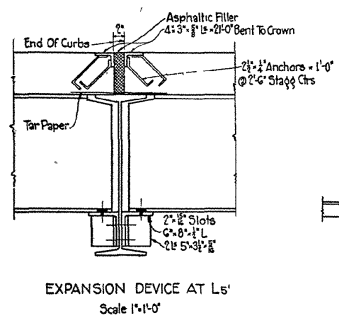
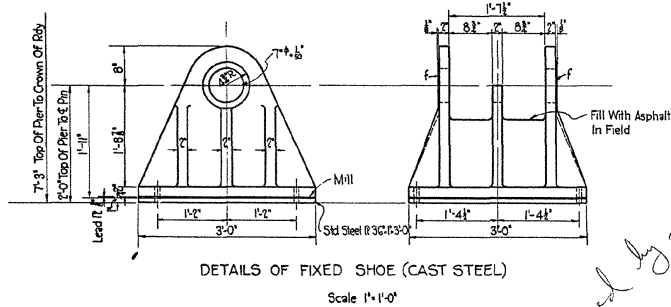
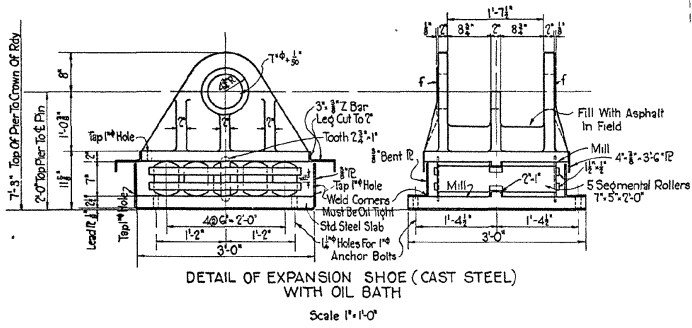
STANDARD PLAN  
 320' RIVETED TRUSS SPAN  
 20' CLEAR ROADWAY  
 CONCRETE FLOOR  
 LOUISIANA HIGHWAY COMMISSION  
 BATON ROUGE, LA.  
 Scale: As Noted

Submitted N. E. LANT  
 Bridge Engineer

Revised - 2-51 - New Roadway Section -  
 3-51 - Retained - A. Chapman

S-H-T-20-15

SHEET 4 OF 4 SHEETS



*Checked by A. J. Chapman  
3/13/51*

FOR INFORMATIONAL PURPOSES ONLY

*Do not use*

STANDARD PLAN  
320' RIVETED TRUSS SPAN  
20' CLEAR ROADWAY  
CONCRETE FLOOR  
LOUISIANA HIGHWAY COMMISSION  
BATON ROUGE, LA.  
Scale: As Noted

Submitted *J. R. Smith*  
Bridge Engineer

*RETRACED  
REVISION*